

**30 INCH INDUCTION SLIDE-IN RANGE****BIR34452SS / BIR34452CSS****Industry Leading  
Oven Capacity 5.7 cu.ft.**

Blomberg features the largest oven capacity available in a 30-inch range, with 5.7 cu. ft. of cooking space to accommodate everything from holiday roasts to full-size commercial baking sheets.

**Extra-Large  
Cooking Zone**

Blomberg ranges offer more than a beautiful appearance and the benefit of effortless cleanup. They feature the versatile advantage of allowing you to create an extra-large, 12" cooking zone for fast, efficient cooking in over-size pots and pans of any shape.

**Cool Touch Oven Door**

Blomberg ranges feature cool-touch glass on the oven door to prevent accidental burns and safely protect those small, curious fingers tempted to point out the cookie they want first!

**GENERAL**

Type	Freestanding
Size	30"
Color	Stainless Steel
Fuel Type	Induction
Burner Color	Black Glass
Knob Color	Stainless Steel
Control Type	Knob Control

**FUNCTIONS**

Cooking Functions	5
Convection Bake	Yes
Broil	Electric
Convection Roast	Yes
Self Clean	Yes
Sabbath Mode	Yes

**SPECIAL FEATURES**

Adjustable Feet	Yes
Lower Storage Drawer	Yes
Cooling Fan	Yes

**COOKTOP**

Zone Configuration	4 Induction
Front Left	9" - 2300W / 3700W
Rear Left	6" - 1,400W / 2,200W
Front Right	6" - 1,400W / 2,200W
Rear Right	11" - 2,600W / 3,700W
Residual Heat Indicators	Yes

**OVEN FEATURES**

Oven Glass Window	"O" Shaped Metal + Glass
Door Cooling System	Cool Door - 4 Pane Heat Resistant Glass (Fixed)
Oven Door Lock	Pyrolytic Lock
Oven Control Type	Electronic control with multi functions
Preheat Indicator Light and Signal	Yes
Programmable Self Cleaning	Yes
Oven Enamel Color	Black
Oven Lights	1 x Round Halogen light (Rear) + 1 x Square Halogen light (Right)
Full Extension Telescopic Lower Rack	Yes
Rack Positions	Stay in self clean - 6 levels
Bottom Heating	Yes
Bottom Heating with Fan	Yes
Fan Heating	Yes

**ACCESSORIES**

Chromed Wire Racks	3
Broiler Pan	Included
Island Trim	Included
Plug Type	USA

Canadian Model: 4-prong NEMA power supply cord BIR34452CSS

**POWER RATINGS**

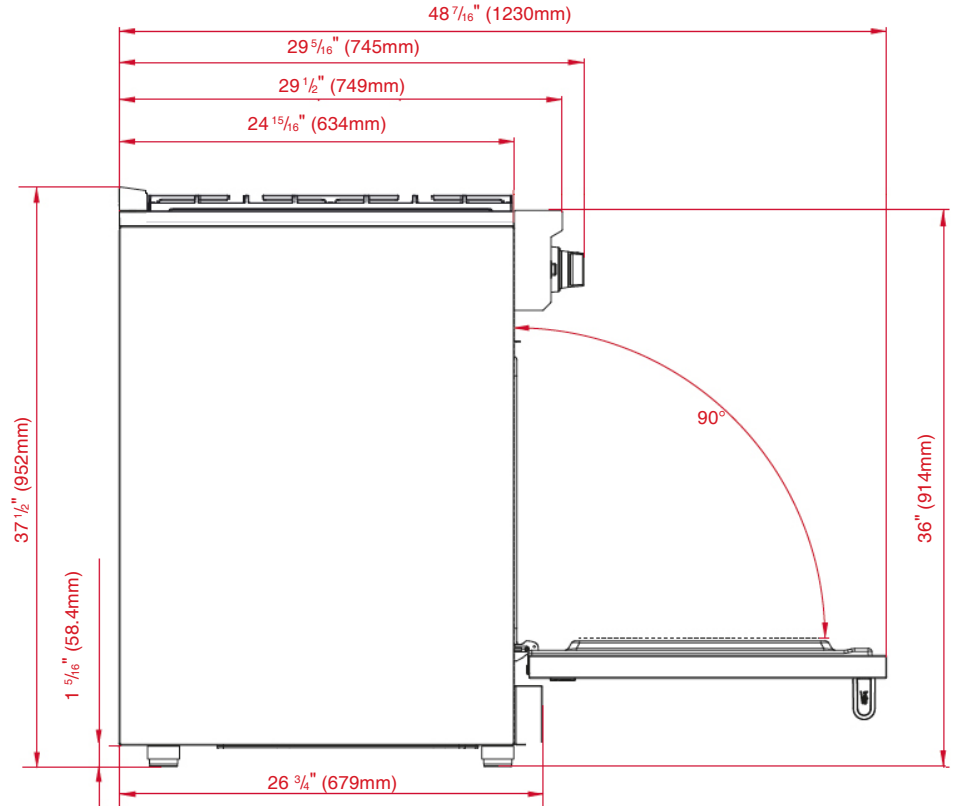
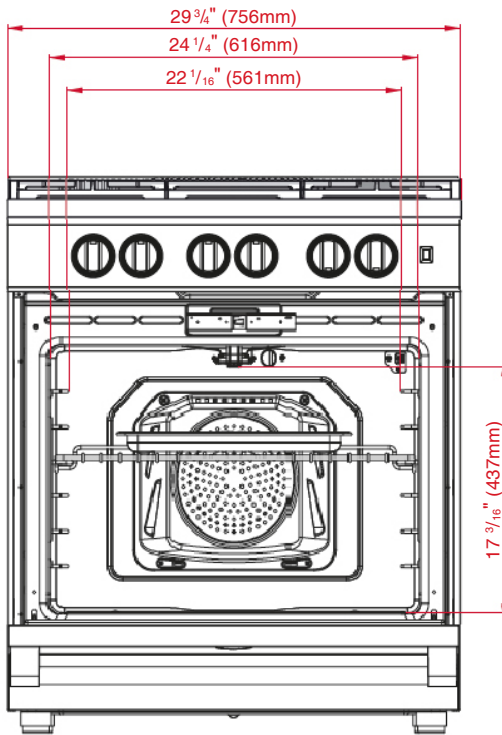
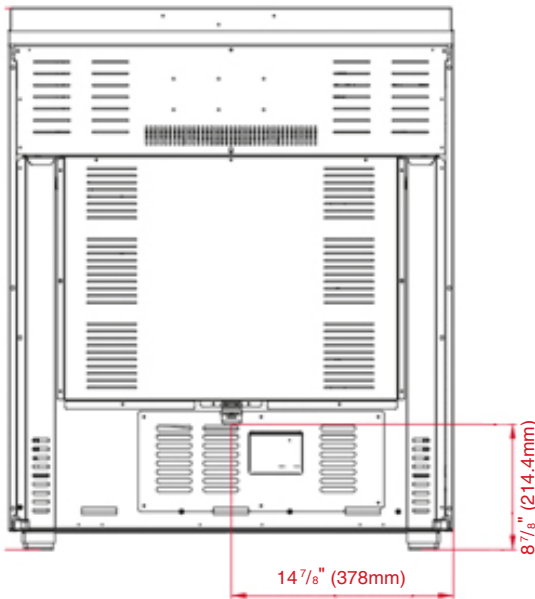
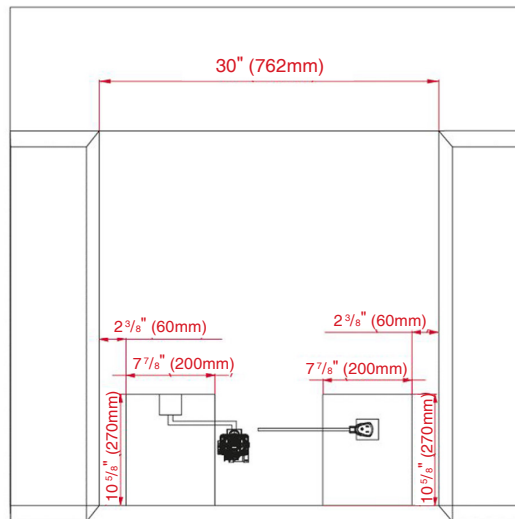
KW/Amps rating	220 - 240 V, 60 Hz, 40 Amp
Bottom Heating Element	2,400 W
Upper Heating Element	Outer: 1,500 W; Inner: 2,000 W
Bake	2,400 W
Broil	3,500 W

**DIMENSIONS/WEIGHT**

Required Cutout Dimensions - (H x W x D) Inches	36" x 30" x 25 1/2"
Product Dimensions - (H x W x D) Inches	36" x 29 3/4" x 29 1/2"
Product Dimensions - (H x W x D) cm	91.4 x 75.6 x 75 cm
Product Weight - lbs	260.1 lbs
Product Weight - kg	118 kg

**30 INCH INDUCTION SLIDE-IN RANGE**

BIR34452SS / BIR34452CSS

**Dimensions and Installation****Electrical****Cabinet**

**NOTE TO THE INSTALLER:** All height, width and depth dimensions are shown in inches (as well as metric). Beko US Inc. reserves the absolute and unrestricted right to change product materials and specifications, at any time, without notice. Please visit our website [www.blombergappliances.com](http://www.blombergappliances.com) or call 888-352-2356 to verify the latest specifications with final dimensional data and other details prior to installation and making a cutout. Applicable product limited warranty information may be found in accompanying product materials or you may contact your account manager for further details. Proper installation is the responsibility of the installer. Product failure due to improper installation is not covered under the Limited Warranty.